

FLOOR DRAIN – Removable Strainer

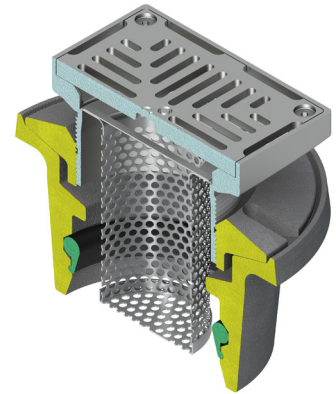
Part No. 142336 **Type SB2150 strainer**
 Removable (primary) stainless steel strainer for Wexel grate with 150mm diameter bore

Product Features

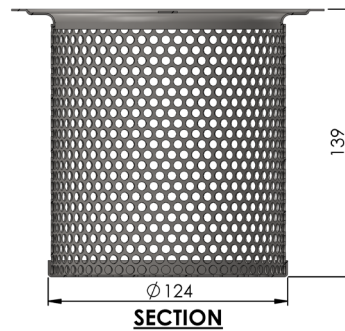
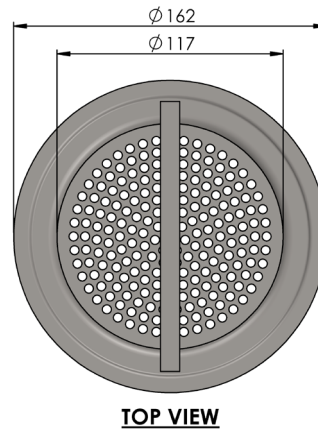
Most ACO Wexel floor drains are available with a removable (primary) strainer basket made from stainless steel. See image on the right for an example of a vertical short floor drain with a removable (primary) strainer basket.

This strainer incorporates holes a maximum of 2mm in diameter.

For more information on the choice of compatible floor drains visit www.acowexel.com.au



Note: All dimensions are in mm



ACO Specification Information

ACO Specification Information

ACO Polycrete Pty Ltd, Australia

Ph: 1300 765 226
www.acowexel.com.au
sales@acoaus.com.au

ACO Limited, New Zealand

Ph: 0800 448 080
www.acowexel.co.nz
sales@aconz.co.nz

© August, 2014 ACO Polycrete Pty Ltd. All reasonable care has been taken in compiling the information in this document. All recommendations and suggestions on the use of ACO products are made without guarantee since the conditions of use are beyond the control of the company. It is the customer's responsibility to ensure that each product is fit for its intended purpose and that the actual conditions are suitable. ACO Polycrete Pty Ltd. pursues a policy of continuous product development and reserves the right to amend specifications without notice.

